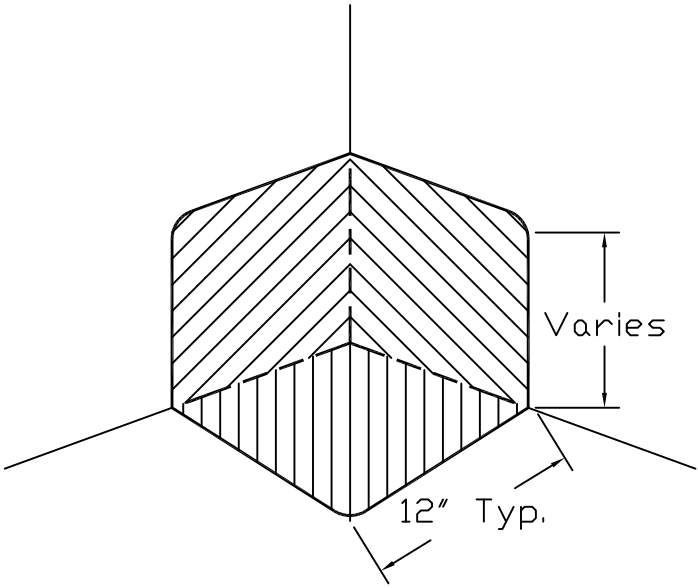
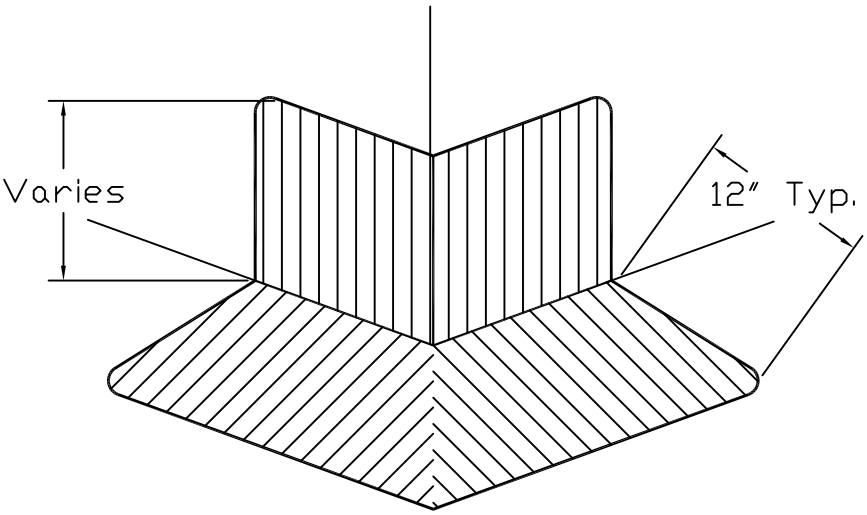


REVISIONS			
REV	DESCRIPTION	DATE	APPROVED

HEIGHT OF PRE-FABRICATED CORNER BOOTS VARIES PER APPLICATION
(TYPICALLY DETERMINED BY TOP ELEVATION OF LINER AT STRUCTURE)



INSIDE CORNER BOOT



OUTSIDE CORNER BOOT



LANGE CONTAINMENT SYSTEMS, INC.
 5150 RACE COURT
 DENVER, CO 80216
 (303) 446-8644 FAX(303) 446-8798

Lange Containment Systems, Inc.

Corner Boot Detail

SIZE: A	DRAWN BY: C. Thomas	APPROVED BY: _____	REV: ____
SCALE: 1" = NTS	DWG NO: Corner_1	SHEET: 1 OF 1	DATE: 9/7/01