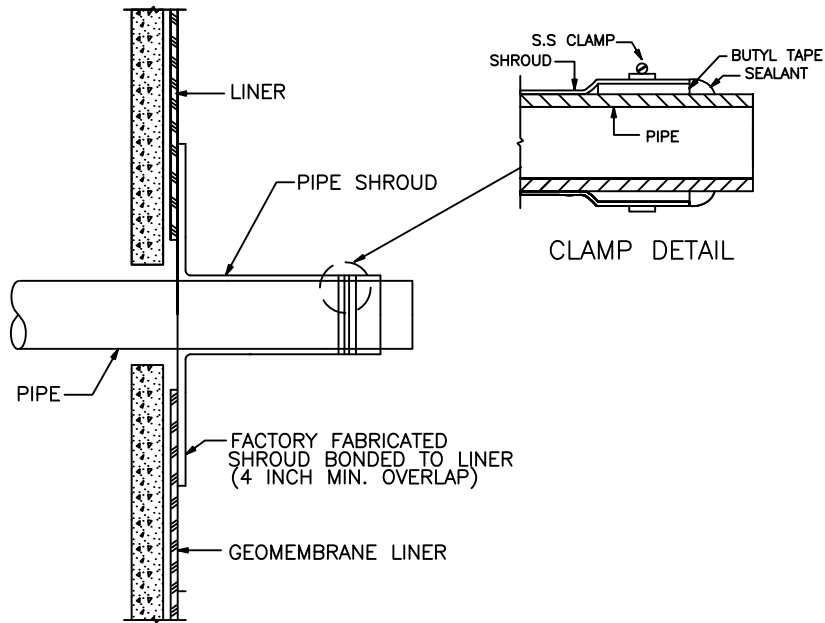


THESE DRAWINGS ARE OFFERED AS A DESIGN AID. LANGE CONTAINMENT SYSTEMS, INC. ASSUMES NO LIABILITY FOR ACTUAL PRACTICES OR END USE.

REVISIONS

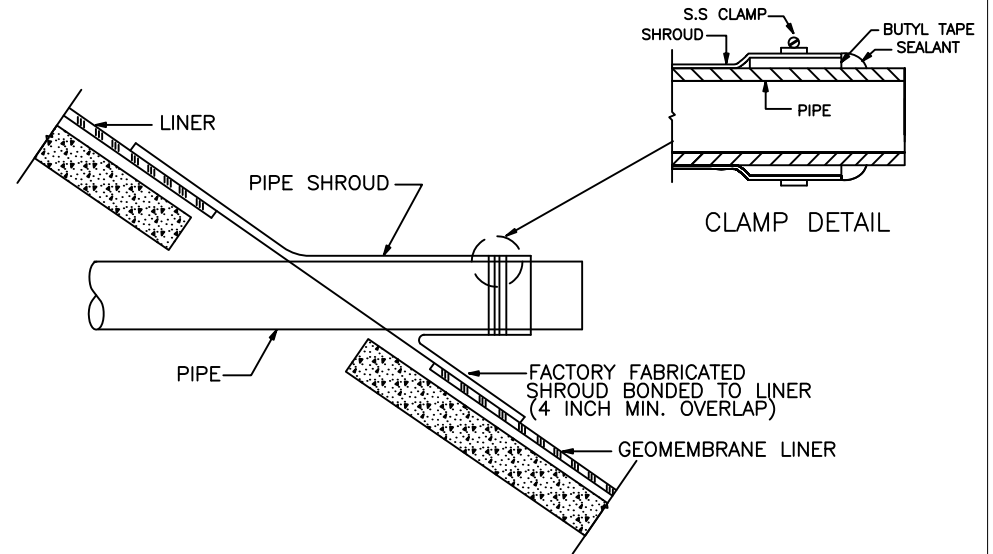
REV	DESCRIPTION	DATE	APPROVED
-----	-------------	------	----------



PIPE BOOT DETAIL — 90 DEGREE

REQUIREMENTS FOR FABRICATION:

1. O.D. (OUTSIDE DIAMETER) OF PIPE
2. THE ANGLE PIPE PENETRATES LINER



PIPE BOOT DETAIL — SPECIFIED ANGLE

REQUIREMENTS FOR FABRICATION:

1. O.D. (OUTSIDE DIAMETER) OF PIPE
2. THE ANGLE PIPE PENETRATES LINER



LANGE CONTAINMENT SYSTEMS, INC.

5150 RACE COURT  
DENVER, CO 80216

(303) 446-8644 FAX (303) 446-8798

**Lange Containment Systems, Inc.**

Conceptual Drawing of Typical Pipe Boots

SIZE: A	DRAWN BY: C. Thomas	APPROVED BY: _____	REV: _____
SCALE: 1" = NTS	DWG NO: PIPEBOOT_2A	SHEET: 1 OF 1	DATE: 2/2/04